

PRODUCT INFORMATION PACKET

Model No: 5K42HN4089X

Catalog No: K1408

Fan and Blower Motor, 0.50 HP, 3 Ph, 60 Hz, 208-230/460 V, 1800 RPM, 56 Frame, DP



Regal and Marathon are trademarks of Regal Rexnord Corporation or one of its affiliated companies.
©2023 Regal Rexnord Corporation, All Rights Reserved. MC017097E

Nameplate Specifications

Output HP	0.50 Hp	Output KW	0.37 kW
Frequency	60 Hz	Voltage	208-230/460 V
Current	2.3-2.2,1.1 A	Speed	1725 rpm
Service Factor	1.25	Phase	3
Efficiency	75.6 %	Power Factor	0
Duty	Continuous	Insulation Class	B
Design Code	B	KVA Code	K
Frame	56	Enclosure	Drip Proof
Thermal Protection	Automatic	Ambient Temperature	40 °C
Drive End Bearing Size	6203	Opp Drive End Bearing Size	6203
UL	Recognized	CSA	Yes
CE	N	Number of Speeds	1

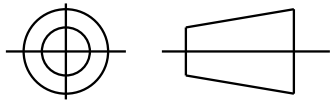
Technical Specifications

Electrical Type	Three Phase	Starting Method	N/R
Poles	4	Rotation	Counterclockwise/Clockwise
Mounting	Resilient Base	Motor Orientation	ANY
Drive End Bearing	BALL	Opp Drive End Bearing	Ball
Frame Material	Rolled Steel	Overall Length	10.05 in
Frame Length	5.72 in	Shaft Diameter	0.630 in
Shaft Extension	1.88 in	Thru-bolts Extension	0 in
Connection Drawing	113A423	Outline Drawing	52A109606P1

This is an uncontrolled document once printed or downloaded and is subject to change without notice. Date Created:01/30/2023

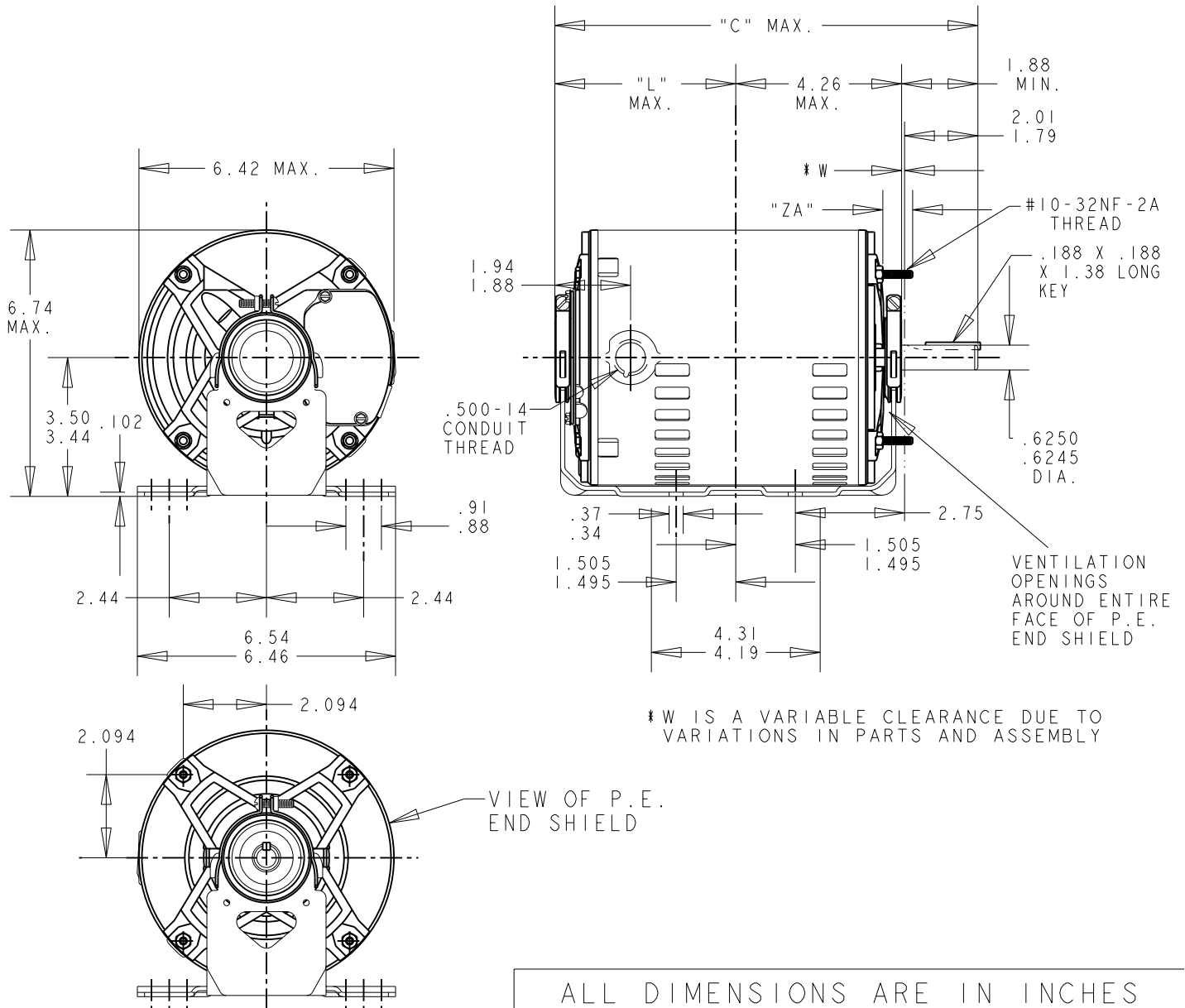
SHEET 1
REV 4
SIZE A
DRAWING NO. 52A109606

THIRD ANGLE PROJECTION



REVISIONS


REV.	DESCRIPTION	DATE	APPROVED
3	CHANGED GE SIZE FOR P3	05/07/04	ARUNK
4	CHG TO RBC FORMAT PER ISO5-1777	03/21/06	SUDHA



ALL DIMENSIONS ARE IN INCHES

3	K	46	56	10.88	4.62	.62	6.55
2	K	49	56	10.48	4.22	.62	6.15
1	K	42	56	10.05	3.79	.62	5.72
P	TYPE	GE SIZE	NEMA FR.	"C"	"L"	"ZA"	MIN. SHELL

SIGNATURES		DATE
MODEL	M. D. PAPE	03/31/94
DETAIL	.	.
CHECKED	.	.
ENGRG	.	.
MFG	.	.
FOR ADDITIONAL INFO REFER TO:	QUALITY	.
APPLIED PRACTICES	ISSUED	M. D. PAPE 03/31/94
DIMENSIONS ARE IN INCHES ✓	SOLID MODEL: 52A109606	



REGAL-BELOIT CORPORATION

TITLE: **OUTLINE**

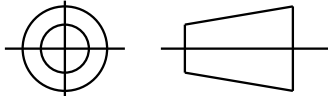
GENERAL PURPOSE MOTOR - DRIP PROOF - BALL BEARING - REISLIENT BASE EXTENDED CLAMP SCREWS FMF - 40 FRAME REDESIGN

SCALE: 0.250 REF. No: . SHEET 1 of 1

SHEET 9
REV 113A423
SIZE DRAWING NO. A

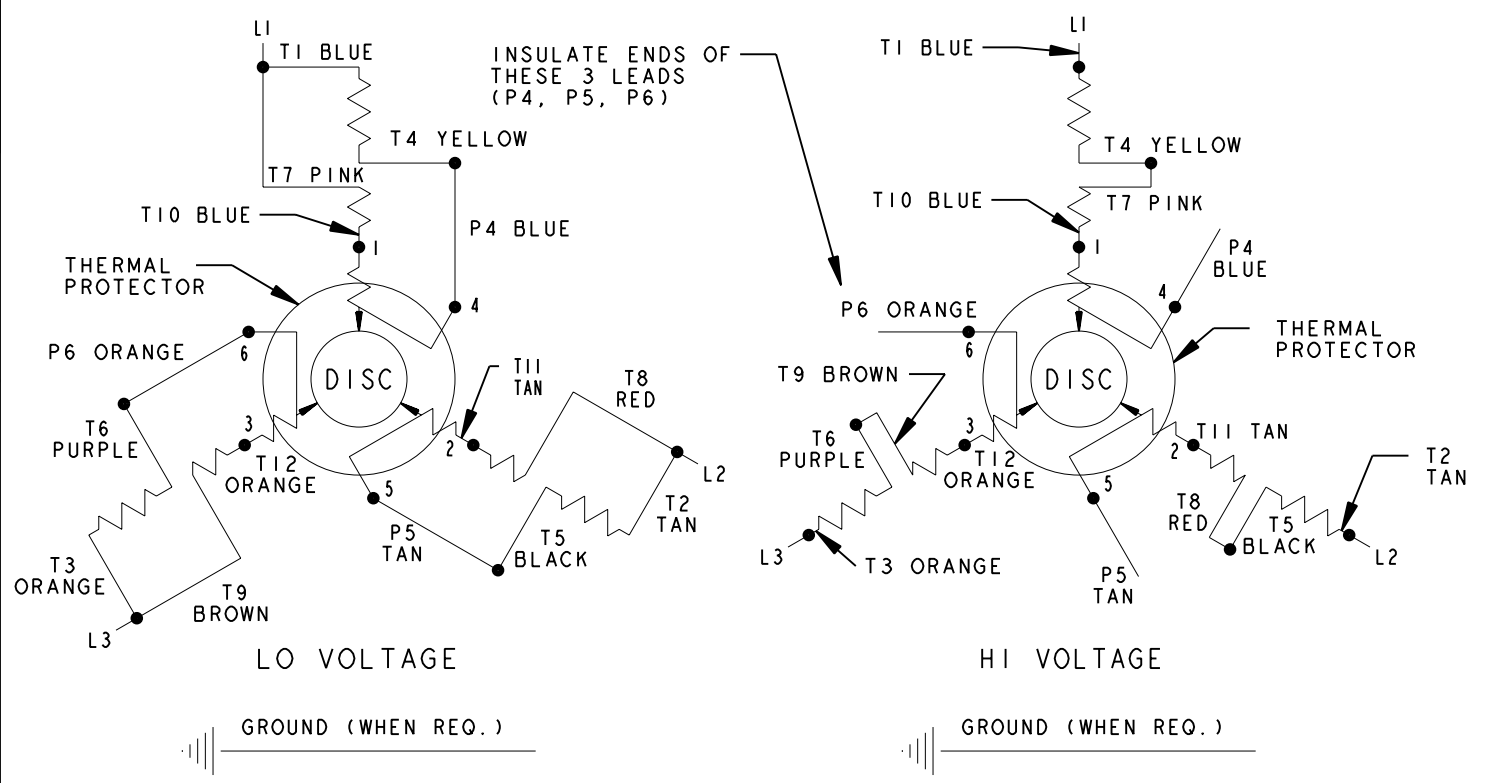
RBC PROPRIETARY AND CONFIDENTIAL INFORMATION
 This document is the property of REGAL BELOIT CORPORATION ("RBC") including its subsidiaries and divisions and contains proprietary information of RBC. This document is loaned on the express condition that neither it nor the information contained therein shall be disclosed to others without the express written consent of RBC, and that the information shall be used by the recipient only as approved expressly by RBC. This document shall be returned to RBC upon its request. This document may be subject to certain restrictions under U.S. export control laws and regulations.

THIRD ANGLE PROJECTION




REVISIONS			
REV.	DESCRIPTION	DATE	APPROVED
7	LO VOLTAGE: "T8 RED" WAS "T3 RED"	09/25/92	BLJ
8	LABEL WAS 185178	04/04/95	M.A.M.
9	CHG TO RBC FORMAT PER ISO5-1777	06/13/06	SUDHA

TYPE K - DUAL VOLTAGE - THREE PHASE -
 12 LEAD WDG. - 12 LEADS OUT - THERMAL PROTECTION



NOTE #1 - TO REVERSE ROTATION, INTERCHANGE THE EXTERNAL CONNECTIONS TO ANY TWO LINE LEADS.

FOR ADDITIONAL INFO REFER TO:		SIGNATURES		DATE	LABEL - NP185178AA	
APPLIED PRACTICES	MODEL	G.A. HILSMIER		01/05/56	 REGAL-BELOIT CORPORATION TITLE DIAGRAM - CONNECTION TYPE K MOTORS	
DIMENSIONS ARE IN INCHES	DETAIL					
TOLERANCE ON:	CHECKED					
1 PL DECIMALS ± 0.1	ENGRG					
2 PL DECIMALS ± 0.02	MFG					
3 PL DECIMALS ± 0.005	QUALITY					
ANGLES ± 1.0	ISSUED	B.L.J.		05/12/92	SIZE DRAWING	REV
FRACTIONS ±					A	113A423
FINISH ✓	SOLID MODEL: 113A423				SCALE: 1.000	9
MATERIAL					REF. No: .	SHEET 1 of 1